

Mounting instruction to improve indoor climate



Learn more about mounting **SkamoWall**

Table of contents

One system	4
General information	5
Simple mounting with SkamoWall	6
Prepare the wall.....	8
Prepare materials: <i>Skamol Lime Mortar, SkamoWall Board, SkamoWall Bore and SkamoWall Wedge</i>	9
Mount the board: <i>SkamoWall Board, SkamoWall Bore, SkamoWall Wedge, Skamol Primer</i>	10
Apply plaster: <i>Skamol Primer, Skamol Lime Mortar and Skamol Smooth Plaster</i>	13
Mount optional protection <i>Skamol Corner and Skamol Mesh</i>	15
Finish the wall.....	17
Detailed drawings for mounting SkamoWall	18
Wall.....	20
Window.....	21
How to use SkamoWall products.....	22
SkamoWall Bore.....	24
SkamoWall Wedge.....	25
Skamol Lime Mortar	26
Skamol Primer.....	28
Skamol Smooth Plaster	29
Skamol Corner.....	30
Skamol Mesh.....	31
After mounting SkamoWall.....	32
Ventilation	34
Painting and tiling	35
SkamoWall FAQ.....	36
General SkamoWall questions	38
Product specific SkamoWall questions.....	39



One system

SkamoWall is a complete system that improves the indoor climate.
The system consists of SkamoWall Board and associated products.



SkamoWall Board
Board for improving the indoor climate

Skamol Corner
Corner protector

Skamol Primer
Primer

SkamoWall Bore
Bore

Skamol Lime Mortar
Adhesive and plaster (coarse-grained)

Skamol Smooth Plaster
Plaster (smooth)

SkamoWall Wedge
Wedge

Skamol Mesh
Reinforcement mesh

General information

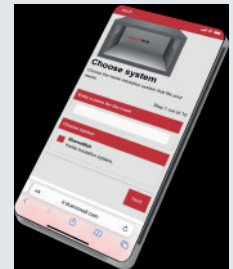
Only use products from the SkamoWall system and products recommended in these instructions for mounting SkamoWall.

To ensure the best possible result, it is important that the SkamoWall Board, tools and water are free from any dust and foreign objects.

Mounting must be carried out within a temperature range of between +5°C and +25°C.

Special safety equipment is not required while mounting, but we recommend checking the safety data sheets for proper safety equipment and instructions.

Find the safety data sheets here:



At www.skamowall.com you can find a calculator to determine the amount of material required for your project.

Mounting tools



Brick trowel



Bucket



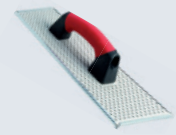
Utility knife



Carpenter's rule



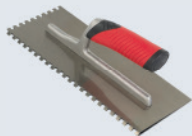
Handsaw



Felt board



Paint roller



Notched trowel (8mm)



Drill



Spirit level



Wedge spacers



™ Whisk

Simple mounting with SkamoWall



The following pages provide a more detailed explanation of how to mount SkamoWall.

Mounting SkamoWall can be explained briefly in six points that make it easy for both DIY projects and professional craftsmen.

- 1 Prepare the wall**

Remove loose plaster, tar, paint residue and organic materials. In case of mould growth, clean the wall with a biocide product. Use the Skamol Lime Mortar adhesive so that unevenness does not exceed 10mm.
- 2 Prepare materials**

Use common tools to resize and prepare SkamoWall Board for installations (e.g. electrical and plumbing). Apply Skamol Primer to the inward-facing side of the board.
- 3 Mount the board**

Apply Skamol Lime Mortar to the SkamoWall Board and wall. Mount the boards on the wall and push the boards up against each other.
- 4 Apply the plaster**

Apply Skamol Primer to the outward-facing side of the board to be plastered. Choose between Skamol Lime Mortar and Skamol Smooth Plaster. Use the selected plaster to fill the joints.
- 5 Mount the optional protection products**

If necessary, you can mount Skamol Corner and Skamol Mesh for extra wall protection.
- 6 Finish the wall**

The wall can be painted, if desired.

Please note that any leftover material should be taken to your local recycling centre.



1 Prepare the wall

- 1.1 Remove loose plaster, tar, paint residue and organic materials.

In case of mould growth, clean the wall with a biocide product.



- 1.2 Ensure that the wall is level. Multiple layers of Skamol Lime Mortar can be applied in thicknesses of 10mm to even out the wall surface. Allow each layer to harden before applying a new layer of adhesive.



- 1.3 When the wall surface is level, use water or Skamol Primer to ensure that the wall is free of dust.



2 Prepare materials

- 2.1 If necessary, saw the SkamoWall Board/Bore/Wedge to the right size with a standard handsaw.

Easily cut the board with a utility knife to fit electrical installations.

Tools: Handsaw and utility knife



- 2.2 Apply the ready-to-use Skamol Primer to the surface of the side of SkamoWall Board facing the wall.

There is no difference in the function of the two sides of the SkamoWall Board, so it does not matter which side of the SkamoWall Board is mounted facing the room.

Tools: Paint roller

For more information about Skamol Primer, see page 28.



- 2.3 Wait approx. 30 minutes for the Skamol Primer to dry, and then start mounting the board.

Mix and apply Skamol Lime Mortar to the wall. We also recommend applying Skamol Lime Mortar to the surface of the SkamoWall Board that will face the wall.

Tools: Notched trowel (8mm)

For more information about Skamol Lime Mortar, see page 26.



3 Mount the board

- 3.1 Place the SkamoWall Board approx. 10cm from the desired location. Immediately push the SkamoWall Board into place to level the Skamol Lime Mortar.

SkamoWall Board must be fully bonded with 4mm to 10mm Skamol Lime Mortar.



- 3.2 There must be a 5mm gap between the SkamoWall Board and the floor. The gap can be filled with an inorganic elastic material such as self-adhesive foam or silicone.

Tools: Wedge spacers



- 3.3 Use a spirit level to ensure that the boards are positioned correctly and level.

Tools: Spirit level



3 Mount the board

- 3.4 Mount the SkamoWall Boards bonded together with a minimum overlap of 5cm.



- 3.5 Once the adhesive has hardened, excess material and unevenness can be sanded.



- 3.6 SkamoWall Bore is mounted in the same way as SkamoWall board.

It is important to leave a 5mm gap between the SkamoWall Bore and the window sill. The gap can be filled with an inorganic elastic material such as self-adhesive foam or silicone.

For more information about SkamoWall Bore, see page 24.



3 Mount the board

3.7 SkamoWall Wedge is mounted in the same way as SkamoWall Board.

For more information about SkamoWall Wedge, see page 25.



4 Apply plaster

- 4.1 Remove dust from the surface of the mounted SkamoWall Board.



- 4.2 Apply Skamol Primer to the surface of the mounted SkamoWall Board with a paint roller or similar tool.

Tools: Paint roller

For more information about Skamol Primer, see page 28.



- 4.3 Wait approx. 30 minutes for Skamol Primer to dry.



4 Apply plaster

- 4.4 Mix and apply the plaster to the entire surface of SkamoWall Board/Bore/Wedge in an even layer with a notched trowel.

Tools: Notched trowel (8mm)

For more information about Skamol Lime Mortar (coarse-grained plaster), see page 27.

Find more information about Skamol Smooth Plaster on page 29.



- 4.5 Level and felt the plaster.

If desired, the hardened plaster can be sanded lightly and a new layer can be added on top of the existing layer of plaster. This can be repeated until the desired result is achieved.



5 Mount optional protection

5.1 Apply a layer of plaster to the SkamoWall Board where the Skamol Corner is to be placed. Choose between Skamol Lime Mortar and Skamol Smooth Plaster.

Tools: Notched trowel (8mm)

Find more information about Skamol Corner on page 30.



5.2 Press Skamol Corner into the wet plaster.

Smooth out any excess plaster.



5.3 Once the plaster has hardened, follow steps 4.4 and 4.5.



5 Mount optional protection

- 5.4 Apply one layer of plaster to the SkamoWall Board where the Skamol Mesh is to be placed. Choose between Skamol Lime Mortar and Skamol Smooth Plaster.

Tools: Notched trowel (8mm)

For more information about Skamol Mesh, see page 31.



- 5.5 Press Skamol Mesh into the wet plaster with an overlap of 10cm.

Smooth out any excess plaster.



- 5.6 Once the plaster has hardened, follow steps 4.4 and 4.5.



6 Finish the wall

- 6.1 Once the plaster has hardened, mounting is complete.



- 6.2 If the wall is to be painted, use a Skamol recommended paint.

For more information about the paint, see page 35.



Detailed drawings for mounting **SkamoWall**

On the following pages you will find detailed drawings of how to mount SkamoWall:

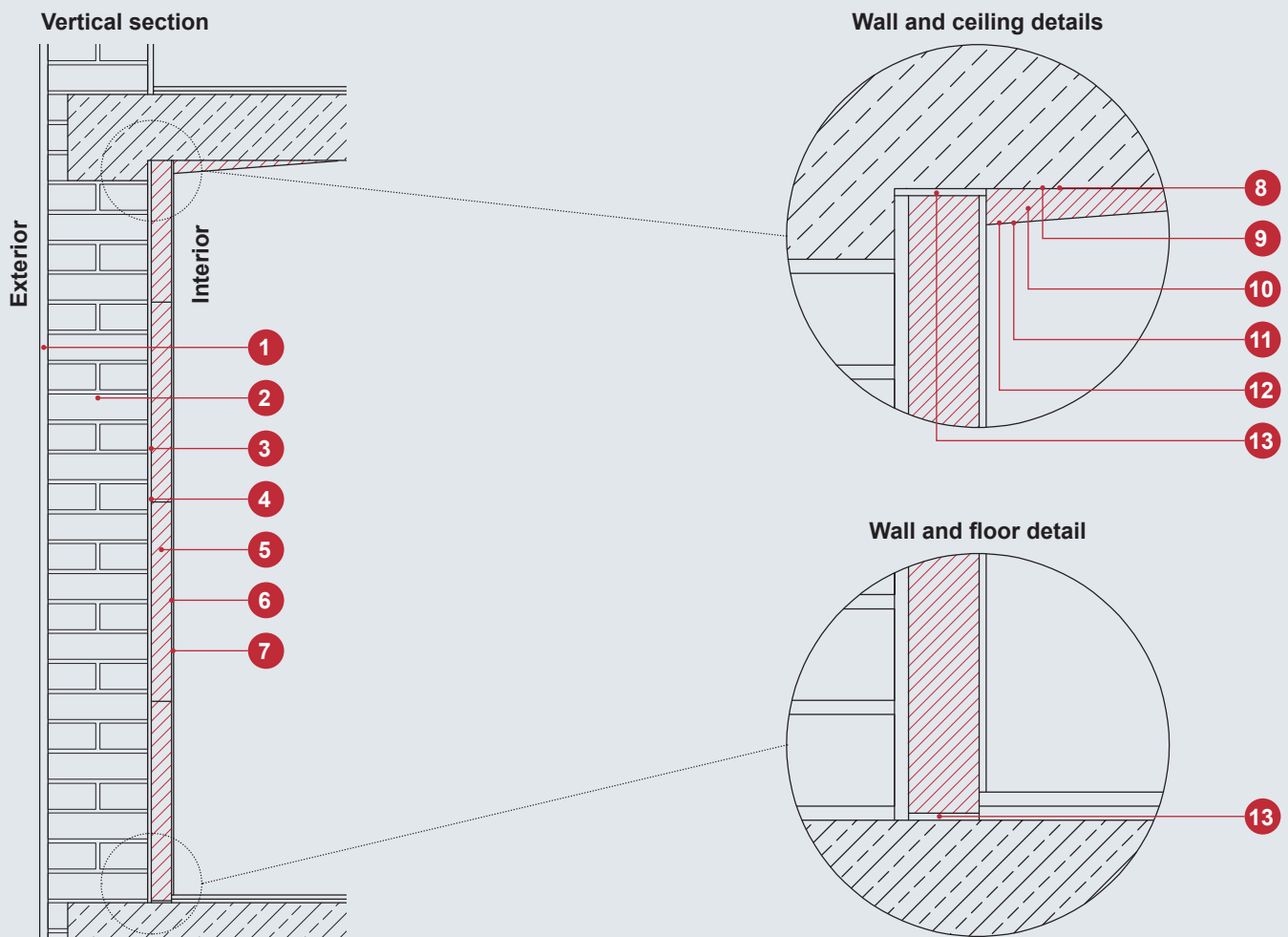
- Wall
- Window

Visit www.skamowall.com to download Autodesk Revit files of SkamoWall.



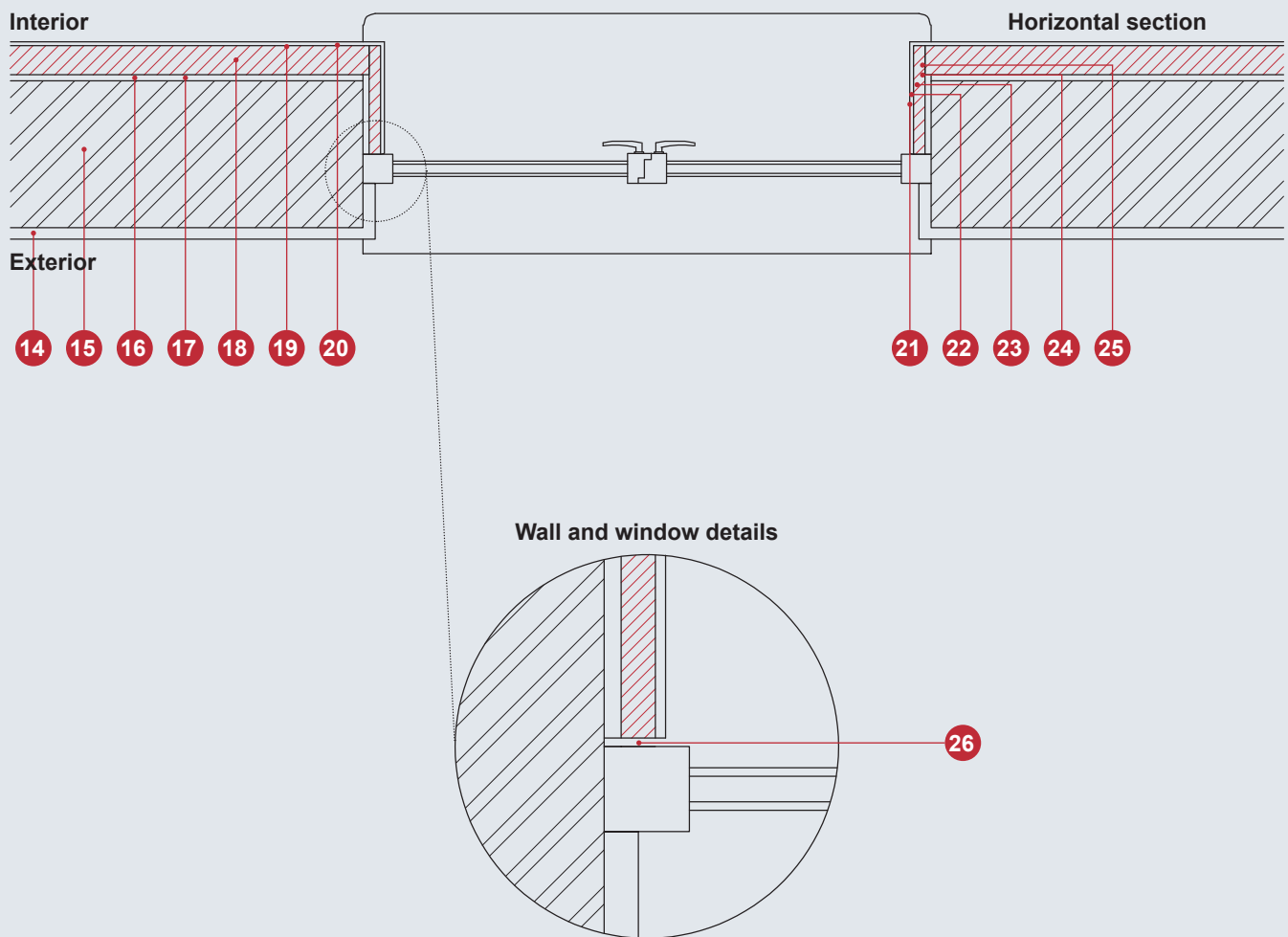


Wall



- | | |
|--|--|
| 1 Exterior plaster | 8 Skamol Lime Mortar |
| 2 Brick wall | 9 Skamol Primer |
| 3 Skamol Lime Mortar | 10 SkamoWall Wedge |
| 4 Skamol Primer | 11 Skamol Primer |
| 5 SkamoWall Board | 12 Skamol Lime Mortar or Skamol Smooth Plaster |
| 6 Skamol Primer | 13 5mm gap that can be filled with an inorganic elastic material such as self-adhesive foam or silicone |
| 7 Skamol Lime Mortar or Skamol Smooth Plaster | |

Window



- | | |
|---|--|
| 14 Exterior plaster | 21 Skamol Lime Mortar |
| 15 Brick wall | 22 Skamol Primer |
| 16 Skamol Lime Mortar | 23 SkamoWall Bore |
| 17 Skamol Primer | 24 Skamol Primer |
| 18 SkamoWall Board | 25 Skamol Lime Mortar or Skamol Smooth Plaster |
| 19 Skamol Primer | 26 5mm gap that can be filled with an inorganic elastic material such as self-adhesive foam or silicone |
| 20 Skamol Lime Mortar or Skamol Smooth Plaster | |

How to use SkamoWall products

Products included in the SkamoWall system:

- SkamoWall Board
- SkamoWall Bore
- SkamoWall Wedge
- Skamol Corner
- Skamol Lime Mortar
- Skamol Mesh
- Skamol Primer
- Skamol Smooth Plaster

There are detailed instructions for the use of each product on the following pages.

Only use products from the SkamoWall system and products recommended in these instructions for mounting SkamoWall.

Special safety equipment is not required while mounting, but we recommend checking the safety data sheets for proper safety equipment and instructions.

Find the safety data sheets here:





SkamoWall Bore

SkamoWall Bore is a bore used on the sides and top of windows.

- A** Remove loose plaster, tar, paint residue and organic materials. In case of mould growth, clean the wall with a biocide product.
- B** Ensure that the wall is level. Multiple layers of Skamol Lime Mortar can be applied in thicknesses of 10mm to even out the wall surface. Allow each layer to harden before applying a new layer of adhesive.
- C** Use water or Skamol Primer to ensure that the wall surface is free of dust.
- D** If necessary, saw SkamoWall Bore to the correct size with a standard handsaw.
- E** Remove dust from the surface of SkamoWall Bore.
- F** Apply primer Skamol Primer to the surface of the side of SkamoWallBore facing the wall. There is no difference in the function of the two sides of the SkamoWall Bore, so it does not matter which side of the SkamoWall Bore is mounted facing the room.
- G** Wait approx. 30 minutes for Skamol Primer to dry.
- H** Apply Skamol Lime Mortar to the wall in an even layer with an 8mm notched trowel. We also recommend to apply Skamol Lime Mortar to the surface of the side of SkamoWall Bore facing the wall in an even layer with an 8mm notched trowel. The total layer of Skamol Lime Mortar should be 4mm to 10mm.
- I** Place SkamoWall Bore approx. 5cm from the desired location.
- J** Immediately push the SkamoWall Bore into place to level the Skamol Lime Mortar. SkamoWall Bore must be fully bonded with Skamol Lime Mortar, leaving a 5mm gap between the SkamoWall Bore and the window sill. The gap can be filled with an inorganic elastic material such as self-adhesive foam or silicone.
- K** Remove dust from the surface of the mounted SkamoWall Bore.
- L** Apply Skamol Primer to the surface of the mounted SkamoWall Bore.
- M** Wait approx. 30 minutes for Skamol Primer to dry.
- N** Fill joints between SkamoWall Bore with plaster and then apply plaster to SkamoWall Bore. Choose between Skamol Lime Mortar and Skamol Smooth Plaster.
- O** Once the plaster has hardened, the mounting of SkamoWall Bore is complete.



SkamoWall Wedge

SkamoWall Wedge is a wedge used as a border between the wall and ceiling.

- A** Remove loose plaster, tar, paint residue and organic materials from the wall and ceiling. In case of mould growth, clean the wall with a biocide product.
- B** Make sure that the wall and ceiling are level. Multiple layers of Skamol Lime Mortar can be applied in thicknesses of 10mm to even out the wall surface. Allow each layer to harden before applying a new layer of adhesive.
- C** Use water or Skamol Primer to ensure that the wall and ceiling surfaces are free of dust.
- D** If necessary, saw the SkamoWall Wedge to the correct size with a standard handsaw.
- E** Remove dust from the surface of SkamoWall Wedge.
- F** Apply Skamol Primer to the surfaces of SkamoWall Wedge that face the wall and ceiling.
- G** Wait approx. 30 minutes for Skamol Primer to dry.
- H** Apply Skamol Lime Mortar to the wall and ceiling in an even layer with an 8mm notched trowel. We also recommend to apply Skamol Lime Mortar to the side of the SkamoWall Wedge facing the wall and ceiling in an even layer with an 8mm notched trowel. The total layer of Skamol Lime Mortar should be 4mm to 10mm.
- I** Place the SkamoWall Wedge approx. 5cm from the desired location.
- J** Immediately push the SkamoWall Wedge into place to level the Skamol Lime Mortar. SkamoWall Wedge must be fully bonded with Skamol Lime Mortar.
- K** Remove dust from the surface of the mounted SkamoWall Wedge.
- L** Apply Skamol Primer to the surface of the mounted SkamoWall Wedge.
- M** Wait approx. 30 minutes for Skamol Primer to dry.
- N** Fill joints between SkamoWall Wedge with plaster and then apply plaster to SkamoWall Wedge. Choose between Skamol Lime Mortar and Skamol Smooth Plaster.
- O** Once the plaster has hardened, the SkamoWall Wedge is complete.



Skamol Lime Mortar

Skamol Lime Mortar is a lime-based mortar that acts as a(n):

- Mortar to fill uneven areas in the wall before mounting SkamoWall.
- Adhesive for attaching SkamoWall Board to the wall.
- Coarse-grained plaster to finish the wall.

One 20kg bag is sufficient for 2.5m² with a thickness of 7mm.

- A** Remove loose plaster, tar, paint residue and organic materials. In case of mould growth, clean the wall with a biocide product.
- B** Ensure that the wall is level. Multiple layers of Skamol Lime Mortar can be applied in thicknesses of 10mm to even out the wall surface. Each layer must harden and be moistened before a new layer is applied.
- C** Use water or Skamol Primer to ensure that the wall surface is free of dust.
- D** Remove dust from the surface of the side of SkamoWall Board facing the wall.
- E** Apply Skamol Primer to the surface of the side of SkamoWall Board facing the wall. There is no difference in the function of the two sides of the SkamoWall Board, so it does not matter which side of the SkamoWall Board is mounted facing the room.
- F** Wait approx. 30 minutes for Skamol Primer to dry.
- G** Mix Skamol Lime Mortar in a ratio of approx. 4.5L of clean water per 20kg bag:
 - Pour 2.5L of water into a mixing bucket.
 - Add the entire contents of the Skamol Lime Mortar bag while stirring vigorously.
 - Add the remaining water (about 2L) to the mixture until the desired consistency is achieved.
 - Stir vigorously for about 7 minutes.
 - Let the mixture rest for about 2 minutes and stir again for about 1 minute.
 - After mixing, Skamol Lime Mortar can be used for approx. 2 hours.
- H** Apply Skamol Lime Mortar to the wall in an even layer with an 8mm notched trowel. We also recommend to apply Skamol Lime Mortar to the surface of the side of SkamoWall Board facing the wall in an even layer with an 8mm notched trowel. The total layer of Skamol Lime Mortar should be 4mm to 10mm.
- I** Place the SkamoWall Board approx. 10cm from the desired location.
- J** Immediately push the SkamoWall Board into place to level the Skamol Lime Mortar. SkamoWall Board must be fully bonded with Skamol Lime Mortar, leaving a 5mm gap between SkamoWall Board and the floor. The gap can be filled with an inorganic elastic material such as self-adhesive foam or silicone.



If Skamol Lime Mortar is used as a plaster, follow these instructions

- K** Remove dust from the surface of the mounted SkamoWall Board.
- L** Apply Skamol Primer to the surface of the mounted SkamoWall Board.
- M** Wait approx. 30 minutes for Skamol Primer to dry.
- N** Mix Skamol Lime Mortar in a ratio of approx. 4.5L of clean water per 20kg bag:
 - Pour 2.5L of water into a mixing bucket.
 - Add the entire contents of the Skamol Lime Mortar bag while stirring vigorously.
 - Add the remaining water (about 2L) to the mixture until the desired consistency is achieved.
 - Stir vigorously for about 7 minutes.
 - Let the mixture rest for about 2 minutes and stir again for about 1 minute.
 - After mixing, Skamol Lime Mortar can be used for approx. 2 hours.
- O** Apply Skamol Lime Mortar to the mounted SkamoWall Board with an 8mm notched trowel to achieve an even thickness of between 1.5mm and 4mm.
- P** Level and felt the Skamol Lime Mortar.
- Q** If desired, the hardened Skamol Lime Mortar can be felted and moistened, after which a new layer of Skamol Lime Mortar of 1.5mm to 4mm can be applied on top of the existing Skamol Lime Mortar. This can be repeated until the desired result is achieved.

Skamol Smooth Plaster

Skamol Smooth Plaster is a smooth plaster used as a finish on SkamoWall Board.

One 15kg bag is sufficient for 7.5m² with a thickness of 2mm.

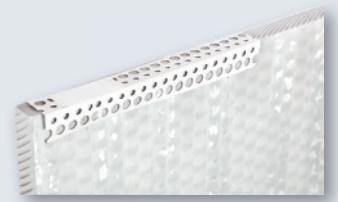
- A** Remove dust from the surface of the mounted SkamoWall Board.
- B** Apply Skamol Primer to the surface of the SkamoWall Board.
- C** Wait approx. 30 minutes for Skamol Primer to dry.
- D** Mix the Skamol Smooth Plaster in a ratio of approx. 6L of clean water per 15kg bag.
 - Pour 4L of water into a mixing bucket.
 - Add the entire contents of the Skamol Smooth Plaster bag while stirring vigorously.
 - Add the remaining water (about 2L) to the mixture until the desired consistency is achieved.
 - Stir vigorously for at least 5 minutes.
 - Let the mixture rest for about 15 minutes and stir again until the mixture is completely smooth and free of bubbles.
 - After mixing, the Skamol Smooth Plaster can be used for approx. 1 hour.
- E** Apply Skamol Smooth Plaster with an 8mm notched trowel to achieve an even thickness of between 1.5mm and 4mm.
- F** Level the Skamol Smooth Plaster.
- G** If desired, the hardened Skamol Smooth Plaster can be sanded lightly and a new layer of 1.5mm to 4mm Skamol Smooth Plaster can be added on top of the existing Skamol Smooth Plaster. This can be repeated until the desired result is achieved.



Skamol Corner

Skamol Corner is a corner protector.

- A** Skamol Corner can be cut to the desired length. This is easily done with snips or scissors.
- B** Remove dust from the surface of the mounted SkamoWall Board.
- C** Apply Skamol Primer to the surface of the SkamoWall Board where the Skamol Corner is to be placed.
- D** Wait approx. 30 minutes for Skamol Primer to dry.
- E** Apply a layer of plaster to the SkamoWall Board where the Skamol Corner is to be placed. Choose between Skamol Lime Mortar and Skamol Smooth Plaster.
- F** Press Skamol Corner into the wet plaster.
- G** Smooth out any excess plaster.
- H** Wait approx. 30 minutes for the plaster to harden.
- I** Apply plaster to the entire surface of the SkamoWall Board.



Skamol Mesh

Skamol Mesh is a reinforcing mesh that is used only when mounting SkamoWall in buildings exposed to many major vibrations, such as railway lines.

- A** Skamol Mesh can be cut to the desired length. This is easily done with snips or scissors.
- B** Remove dust from the surface of the mounted SkamoWall Board.
- C** Apply Skamol Primer to the surface of the SkamoWall Board where Skamol Mesh will be applied.
- D** Wait approx. 30 minutes for Skamol Primer to dry.
- E** Apply a layer of plaster to the SkamoWall Board where the Skamol Mesh is to be placed. Choose between Skamol Lime Mortar and Skamol Smooth Plaster.
- F** Press Skamol Mesh into the wet plaster with an overlap of 10cm.
- G** Smooth out any excess plaster.
- H** Wait approx. 30 minutes for the plaster to harden.
- I** Apply plaster to the entire surface of the SkamoWall Board.



After mounting SkamoWall

The excellent diffusion-open properties of the SkamoWall system can be affected by products that are not part of the SkamoWall system (adhesive, filler, paint, wallpaper, etc.) - therefore it is recommended to use only SkamoWall products for mounting.

SkamoWall Board is dimensionally stable and cannot move with the house's foundation. The formation of cracks is not a defect, so they can simply be covered over with Skamol Lime Mortar or Skamol Smooth Plaster.

Furniture

Furniture should be moved at least 10cm away from the outer walls.

If possible, SkamoWall should not be subject to stress loads: Do not use a hammer drill to drill holes as this may damage the SkamoWall Board.





Ventilation

SkamoWall Board's enormous storage capacity compensates for fluctuations in humidity, but does not compensate for ventilation. The volume of moisture can only be returned to the room if the air is replaced. It is therefore important to keep the room ventilated.

The general rules for good ventilation are

- It is not good if windows are constantly ajar (components cool down).
- Airing out with draughts several times a day is best.
- Basement windows should remain closed on hot days. Airing out should only take place in the cool morning and evening hours.
- For good ventilation, it is recommended to air out three times a day for 5 to 10 minutes.

In general, SkamoWall Board must not be permanently saturated from behind and must not be attached to walls with insufficient vertical seals or hygroscopic materials without barriers. If in doubt, ask an appraiser or expert.

(Vaulted) basements without natural ventilation may need to be ventilated with mechanical ventilation systems.

Painting and tiling

Painting

For SkamoWall, paints with high water vapor permeability should be used with the parameters mentioned below.

The wall can be painted if desired. Before painting, SkamoWall Board must be plastered with Skamol Lime Mortar or Skamol Smooth Plaster with a thickness of 2mm (also in the joints).

Only diffusion-open paints with a Sd parameter value not exceeding 0.05 m should be used.

For the sake of diffusion openness, we recommend sanding down the paint after applying five coats.

Tiling

In general, it is important that rooms where SkamoWall has been mounted are well ventilated so that any moisture can be released into the room – therefore it is important to ensure the room is ventilated. We do not recommend using tiles on SkamoWall.

The mounting instructions are continuously updated on the basis of experience that improves and/or facilitates installation.

See updated mounting instructions and technical data at www.skamowall.com

SkamoWall FAQ

If you have questions about SkamoWall, we have compiled a number of the most frequently asked questions on the following pages.

If you cannot find answers to your questions in this brochure, please visit our website or contact us.

The latest version of the FAQ and contact details can be found at www.skamowall.com.





General SkamoWall questions

At what temperature can SkamoWall be mounted?

All work must be carried out within a temperature range of between +5°C and +25°C.

Can felt, fibreglass surface tissue or wallpaper be mounted on SkamoWall?

No.

Can other products be used to mount SkamoWall?

No. This voids the warranty.

Can SkamoWall be mounted in a half-timbered house?

Yes.

Can SkamoWall be mounted on a stud wall?

Yes. However, the stud wall must be made of an inorganic material.

Can SkamoWall be mounted on wood?

Yes.

Can SkamoWall be used in bathrooms?

SkamoWall can be mounted in wet rooms, such as bathrooms, excluding splash areas. SkamoWall cannot be covered by tiles.

Does Skamol recommend a specific biocide?

No.

Does Skamol recommend specific nails and screws?

Skamol recommends stainless steel nails and screws.

Does Skamol recommend a specific paint?

Only diffusion-open paints with a Sd parameter value not exceeding 0.05 m should be used.

How much of each SkamoWall product should be used?

Calculate it at www.skamowall.com

Should protective equipment be used when mounting SkamoWall?

No special equipment is required, but it is recommended to check the safety data sheet for instructions.

Is there a special procedure for mounting electrical installations in SkamoWall?

Regardless of whether there is an electrical installation or not, the system is mounted in the same way.

Does the back wall need to be completely level?

Unevenness up to 10mm can be corrected with Skamol Lime Mortar.

What is the minimum number of products needed for the mounting process?

Skamol Lime Mortar, Skamol Primer and SkamoWall Board.

Where can I buy SkamoWall?

Find retailers at www.skamowall.com

Can efflorescence penetrate the SkamoWall Board?

In extreme cases, it will be visible.

Product specific SkamoWall questions

SkamoWall Board, SkamoWall Bore and SkamoWall Wedge

Can you paint directly on SkamoWall Board/SkamoWall Bore/SkamoWall Wedge?

No. However, you can paint after applying Skamol Lime Mortar or Skamol Smooth Plaster.

Does SkamoWall Board/SkamoWall Bore/SkamoWall Wedge need to be fully bonded?

Yes, with 4mm to 10mm Skamol Lime Mortar.

Does SkamoWall Board/SkamoWall Bore/SkamoWall Wedge need to be primed?

Yes. Both on surfaces to be bonded and plastered.

Does the SkamoWall Board need to face a particular direction?

No.

What equipment is required to cut SkamoWall Board/SkamoWall Bore/SkamoWall Wedge?

No special equipment is required. Use standard hand tools.

Where should SkamoWall Bore be used?

SkamoWall Bore is a bore used on the sides and top of windows.

Where should SkamoWall Wedge be used?

SkamoWall Wedge is a wedge used as a border between the wall and ceiling.

Skamol Lime Mortar

How thick a layer of Skamol Lime Mortar can be applied?

4mm to 10mm per layer. Each layer must harden and be moistened before a new layer is applied.

Can Skamol Lime Mortar be applied to existing lime mortar?

Yes. In this case, the existing lime mortar must be moistened. Ensure that the existing lime mortar adheres to the wall and does not crack.

Skamol Corner and Skamol Mesh

What equipment should be used to cut Skamol Corner and Skamol Mesh?

No special equipment is required. Use a commercially available tool such as snips or scissors.

Where should Skamol Corner be used?

Skamol Corner is a corner protector used in window frames, for example.

Where should Skamol Mesh be used?

Skamol Mesh is a reinforcing mesh that is used only when mounting SkamoWall in buildings exposed to many major vibrations, such as railway lines.

Skamol Primer

Does Skamol Primer need to be diluted?

No, the primer is ready to use.

Why does Skamol Primer need to be applied?

The primer reduces the surface's water absorption, which is essential before applying plaster.

Can water be used instead of Skamol Primer for priming?

We do not recommend this since, for example, the adhesion between SkamoWall Board and Skamol Lime Mortar will decrease from 0.34MPa ($\approx 32\text{t/m}^2$) to 0.12MPa ($\approx 12\text{t/m}^2$). Furthermore, it is difficult to distribute water as a "primer", which increases the risk of the panel not fully bonding.

Skamol Smooth Plaster

Does Skamol Smooth Plaster need to be applied once or several times?

Usually the best result is achieved by layering several thin layers on top of each other.

What is the difference between Skamol Lime Mortar Plaster and Skamol Smooth Plaster?

Skamol Lime Mortar is a coarse-grained plaster. Skamol Smooth Plaster is a smooth plaster.

All in  **one**



Learn more at www.skamowall.com